

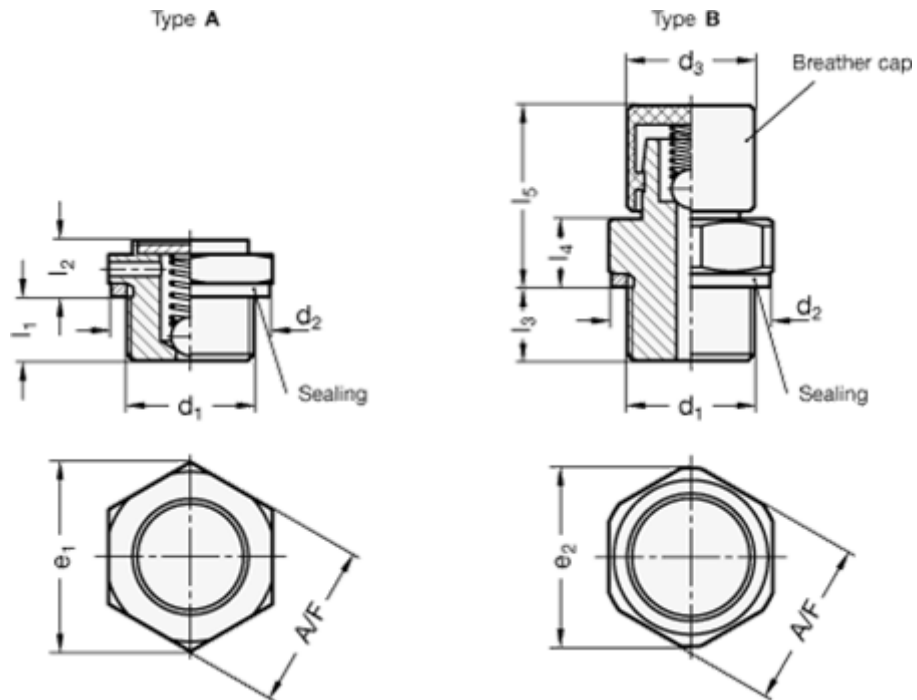
Data Sheet



Article number: 20883M161520AMS

Description: E+G Udluftningsfilter - M16x1.5

Measures



| | | | |
|--------------------|------|---|-------|
| | = - | l2 | = 11 |
| | = - | l3 | = 7.5 |
| A/F | = 22 | l4 | = 7.5 |
| Air passage l/min. | = - | l5 | = 19 |
| d2 | = 22 | Opening pressure in mbar = Min. 20 - Max 80. mbar | |
| d3 | = 13 | Thread d1 = M16x1.5 | |
| e | = 24 | | |
| l1 | = 9 | | |